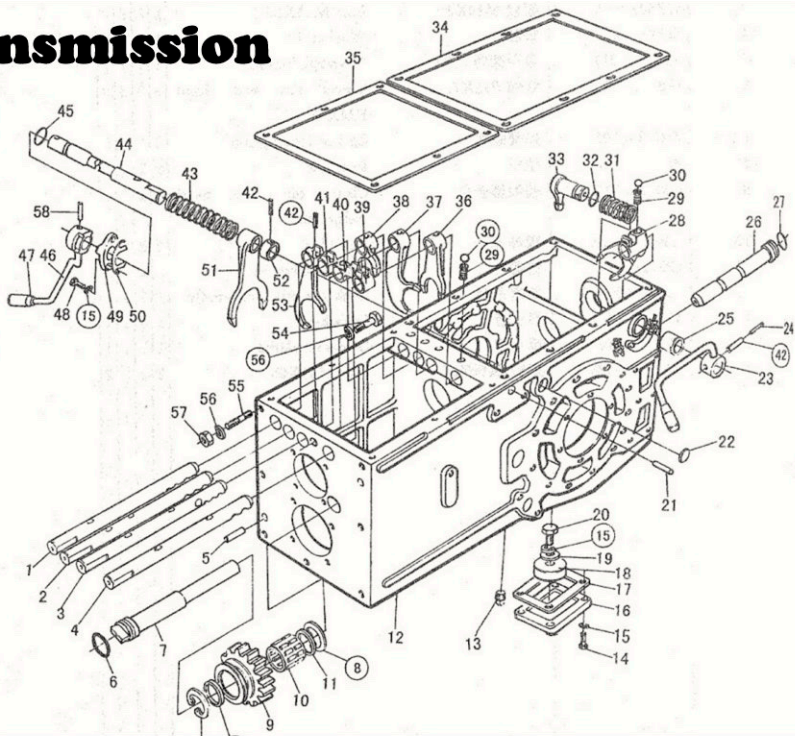


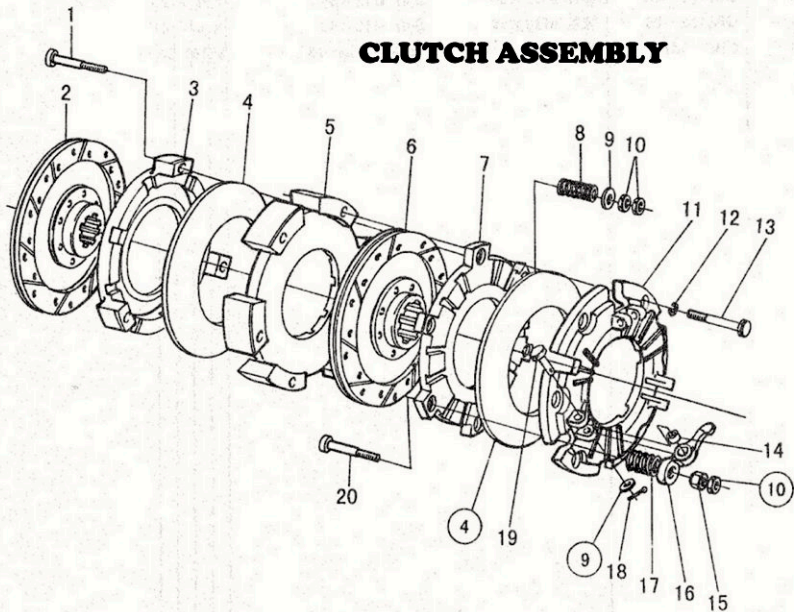


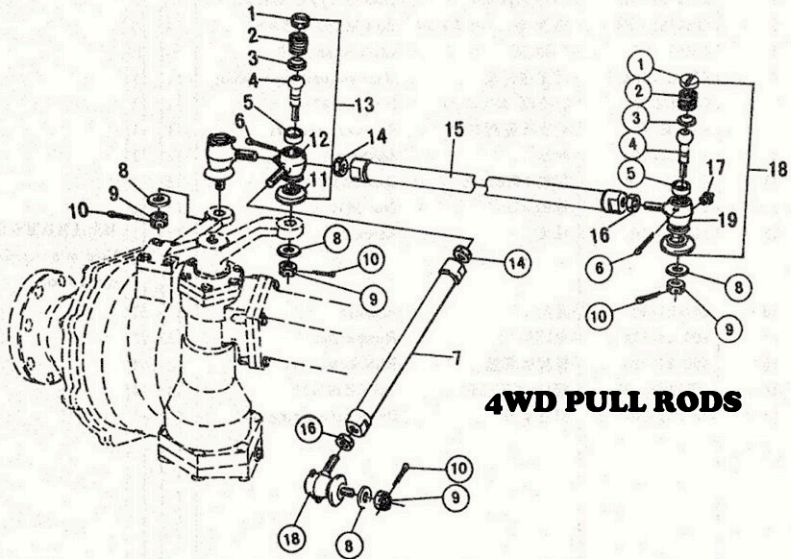
594 PARTS

Transmission



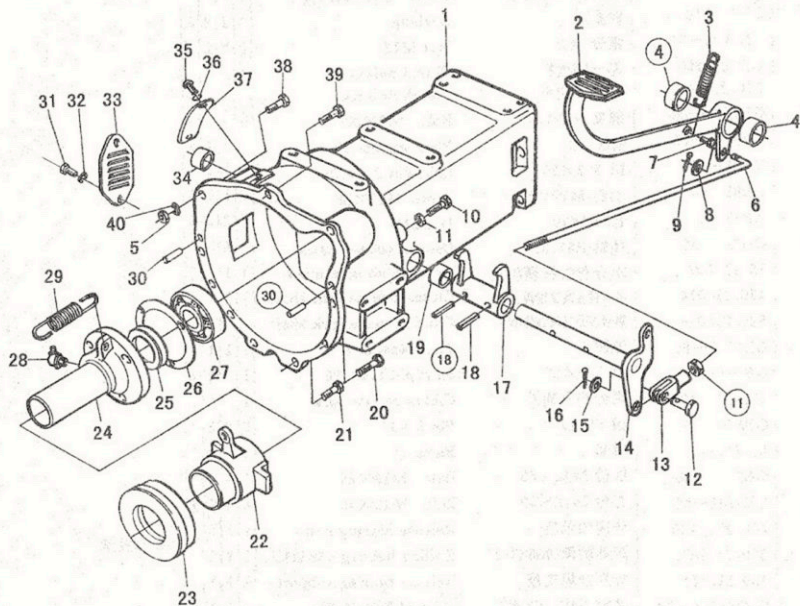
CLUTCH ASSEMBLY

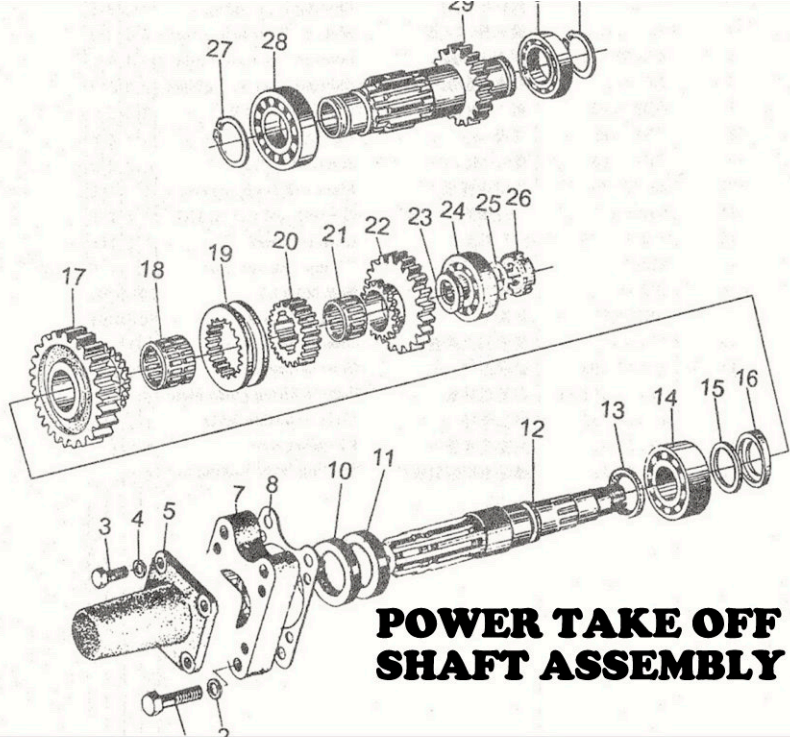




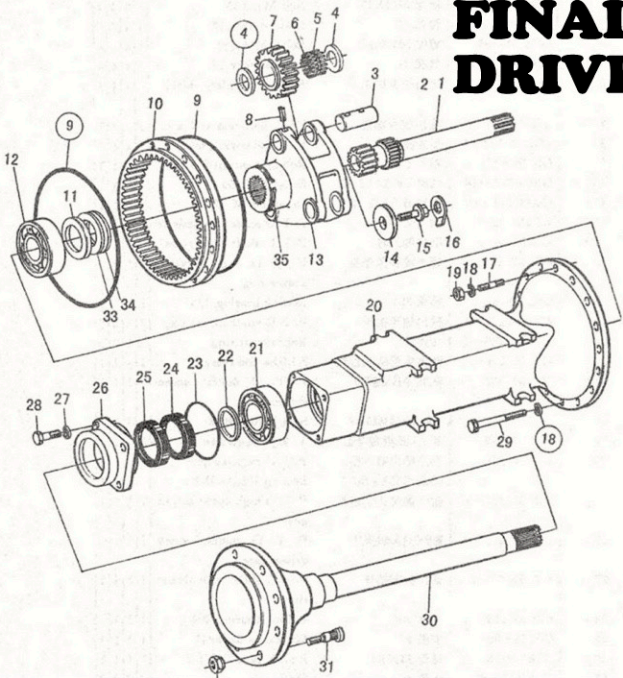
4WD PULL RODS

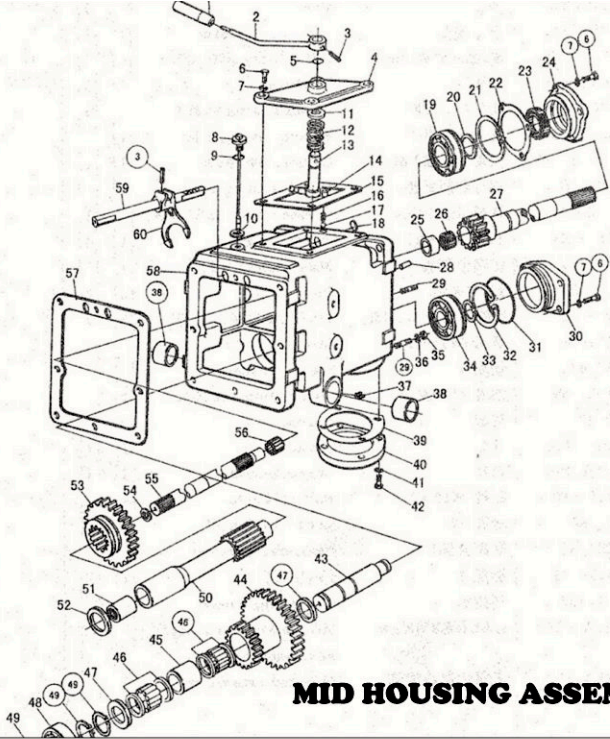
MID HOUSING CONNECTING ASSEMBLY





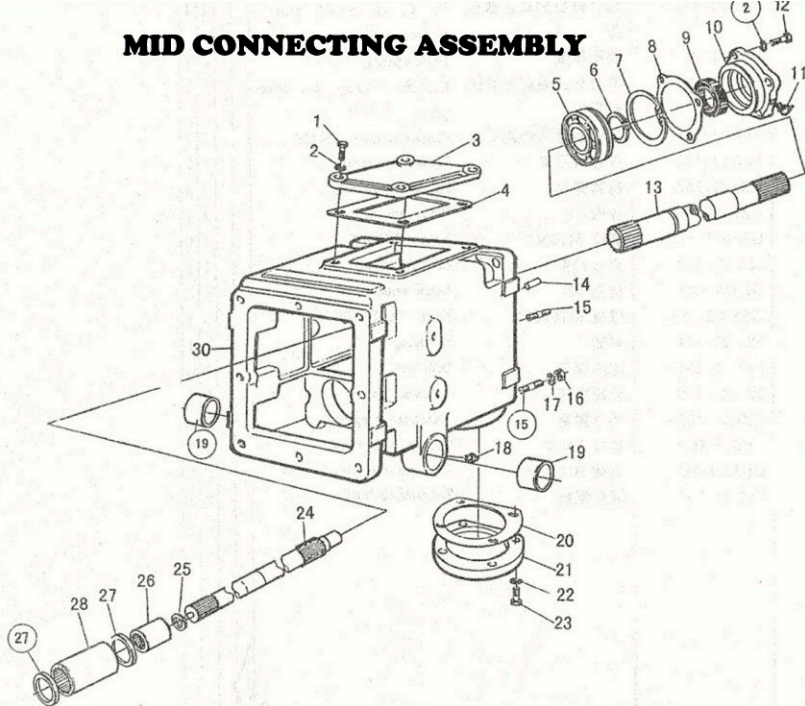
FINAL DRIVE

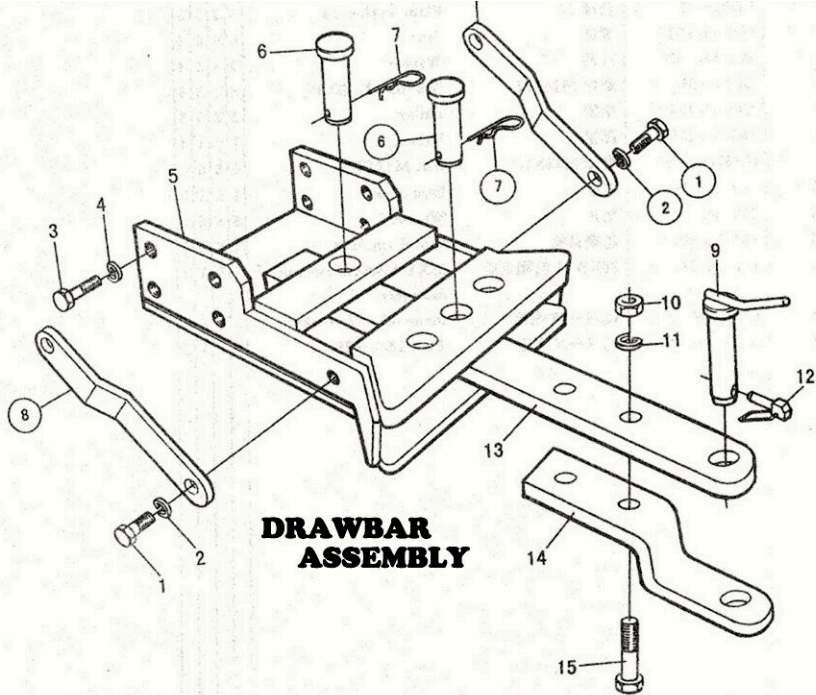


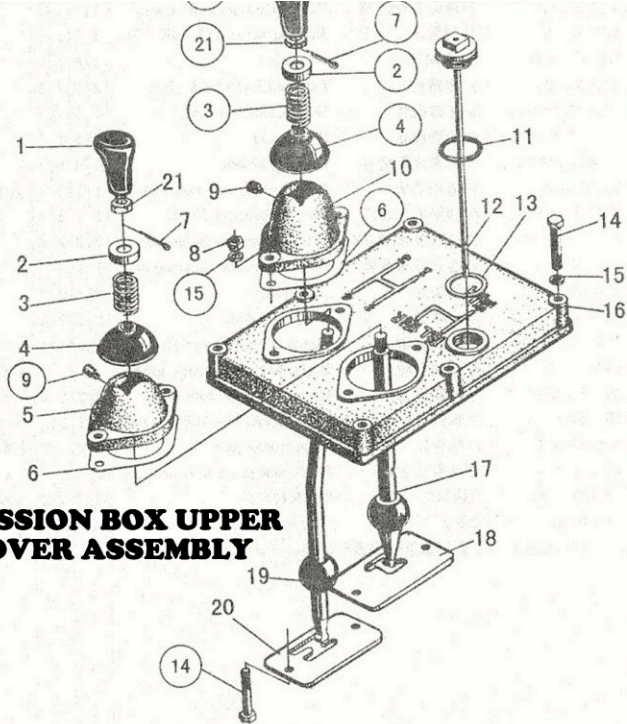


MID HOUSING ASSEMBLY

MID CONNECTING ASSEMBLY

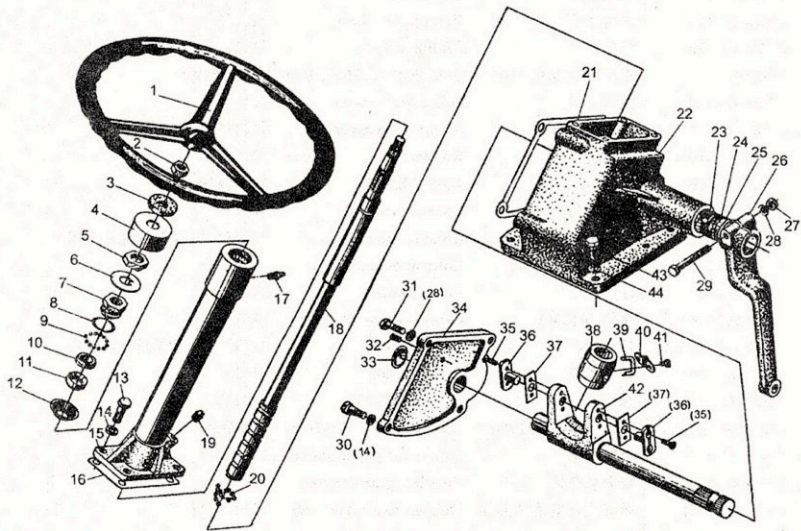


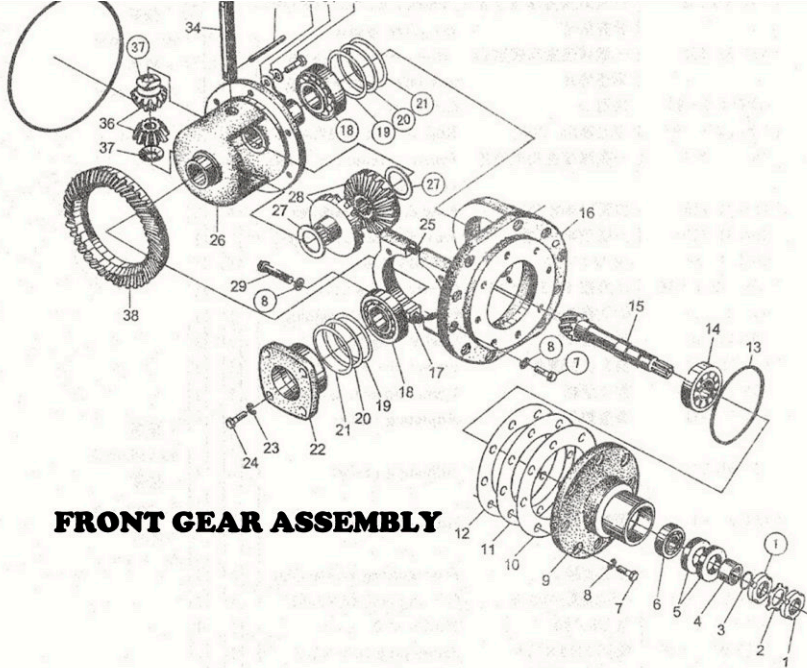




TRANSMISSION BOX UPPER FRONT COVER ASSEMBLY

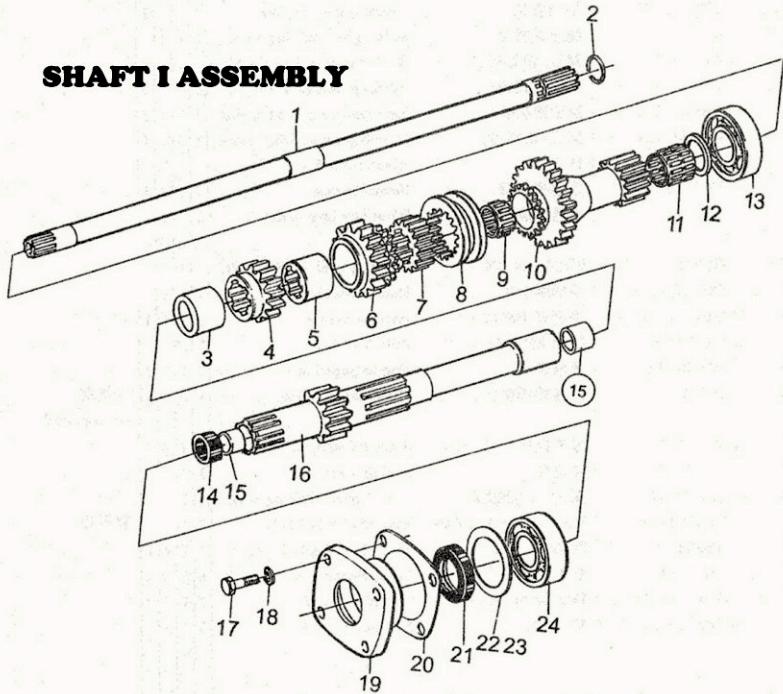
Steering



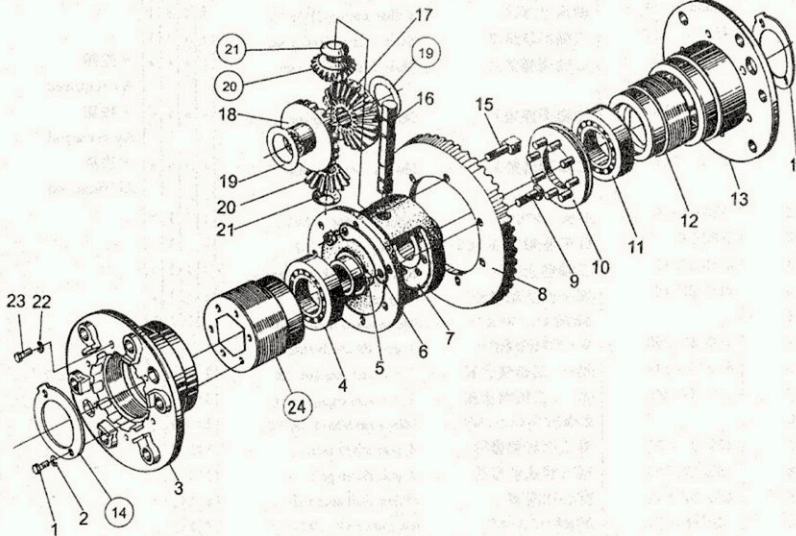


FRONT GEAR ASSEMBLY

SHAFT I ASSEMBLY



DIFFERENTIAL ASSEMBLY



SHAFT II ASSEMBLY

